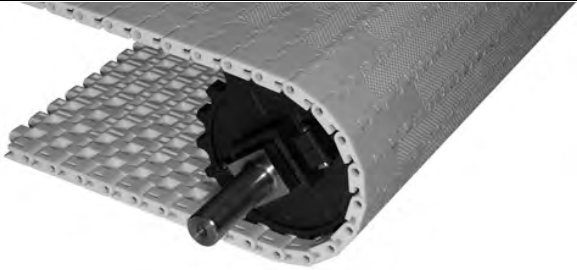
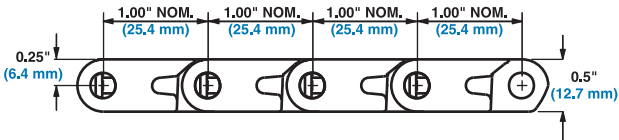


Embedded Diamond Top		
	in	mm
Pitch	1.00	25.4
Minimum Width	12.0	304.8
Opening Sizes (approx.)	-	-
Open Area	0%	
Hinge Style	Closed	
Drive Method	Center/Hinge-Driven	
Product Notes		
<ul style="list-style-type: none"> <li>• <b>Contact Intralox for precise belt measurements and stock status before designing equipment or ordering a belt.</b></li> <li>• Minimum nominal alternating edge indents of 3 in (76 mm) and 4 in (102 mm).</li> <li>• Smooth, closed surface with fully flush edges.</li> <li>• Uses headless rods.</li> <li>• Robust design offers excellent belt and sprocket durability.</li> <li>• Most Series 1400 sprockets use the split design so shafts do not have to be removed for retrofits and changeovers.</li> <li>• Series 1400 split sprockets are designed with thick, "lug" style teeth for excellent durability and wear life.</li> <li>• Utilizes Slidelox® rod retention system.</li> </ul>		
Additional Information		
<ul style="list-style-type: none"> <li>• See "Belt Selection Process" (page 7)</li> <li>• See "Standard Belt Materials" (page 22)</li> <li>• See "Special Application Belt Materials" (page 22)</li> <li>• See "Friction factors" (page 26)</li> </ul>		

Belt Data							
Belt Material	Standard Rod Material Ø 0.24 in (6.1 mm)	<b>BS</b>	Belt Strength	Temperature Range (continuous)		<b>W</b>	Belt Weight
		lb/ft	kg/m	°F	°C	lb/ft <sup>2</sup>	kg/m <sup>2</sup>
Polypropylene	Nylon	1800	2678	34 to 220	1 to 104	1.70	8.30