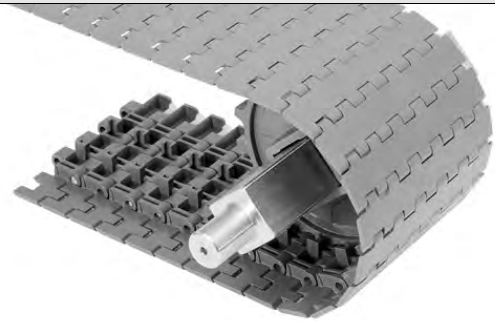


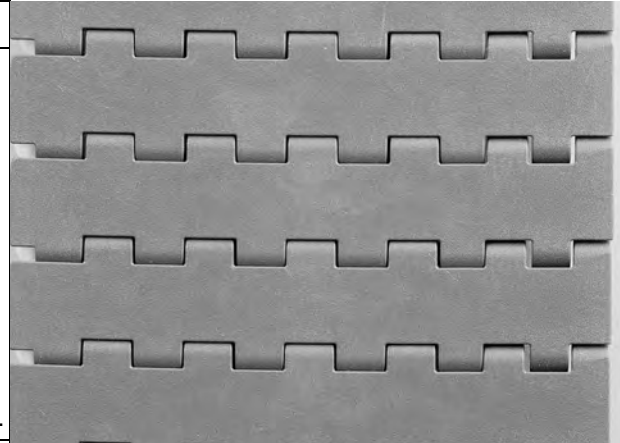
6" Flat Top Mold to Width Self-Clearing Edge

	in	mm
Pitch	1.00	25.4
Minimum Width	6	152
Width Increments	-	-
Opening Sizes (approx.)	-	-
Open Area	0%	
Hinge Style	Closed	
Drive Method	Center/Hinge-Driven	



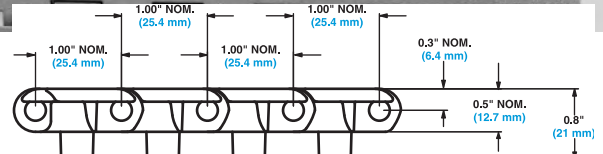
Product Notes

- **Contact Intralox for precise belt measurements and stock status before designing equipment or ordering a belt.**
- Fully flush edges.
- Uses headed rods.
- Robust design offers excellent belt and sprocket durability, especially in tough, material handling applications.
- Most Series 1400 sprockets use the split design so shafts do not have to be removed for retrofits and changeovers. All Series 1400 sprockets are plastic.
- 100% self-clearing transfers of all container types, including energy drink cans, when used in conjunction with finger transfer plate.
- Belt is bidirectional. It can perform left- and right-hand transfers.



Additional Information

- See "Belt Selection Process" (page 7)
- See "Standard Belt Materials" (page 22)
- See "Special Application Belt Materials" (page 22)
- See "Friction factors" (page 26)



Belt Data

Belt Material	Standard Rod Material Ø 0.24 in (6.1 mm)	BS Belt Strength		Temperature Range (continuous)		W Belt Weight	
		lb	kg	°F	°C	lb/ft	kg/m
Acetal	Nylon	1000	454	-50 to 200	-46 to 93	1.08	1.61