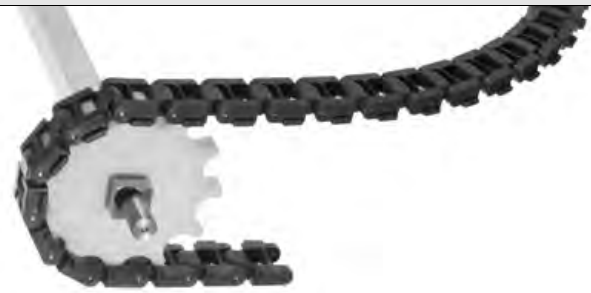


Knuckle Chain

	in	mm
Pitch	2.00	50.8
Molded Width	2.25	57
Open Area	-	
Hinge Style	Closed	
Drive Method	Center-driven	



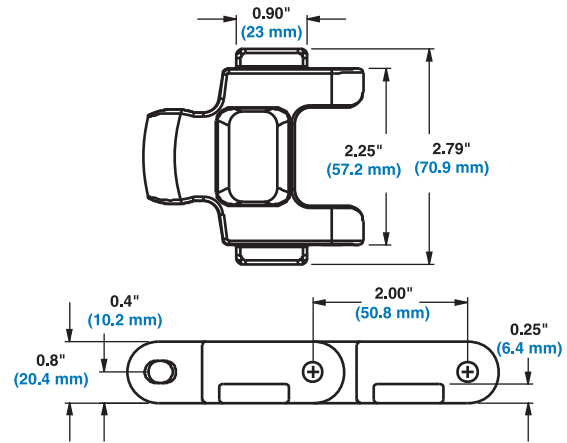
Product Notes

- **Contact Intralox for precise belt measurements and stock status before designing equipment or ordering a belt.**
- Thick, durable plastic surface around stainless steel pins for long life and less breakage.
- Available in both straight and turning versions.
- Turning version designed for applications with a minimum centerline turn radius of 16 in (406 mm).
- Both versions are available with extended pins.
- Available in 10 ft. (3.1 m) boxed lengths.
- Capable of running on the same tracks as other common chains.

WARNING: Only the Series 3000T (turning version) Knuckle Chain can be used for turning applications. The Series 3000S (straight version) Knuckle Chain cannot be used for turning applications. Hold down wearstrips are mandatory on the inside and outside edges of all turns, on both the carrying and return sides of the belt. Unless they interfere with the operation of the carrying equipment, the hold down wearstrips should be used throughout the conveyor to protect both the belt and personnel next to the conveyor.

Additional Information

- See "Belt Selection Process" (page 7)
- See "Standard Belt Materials" (page 22)
- See "Special Application Belt Materials" (page 22)
- See "Friction factors" (page 26)



Series 3000T shown

Belt Data

Chain Material	Standard Rod Material Ø 0.25 in (6.4 mm)	BS Chain Strength		Temperature Range (continuous)		W Chain Weight	
		lb	kg	°F	°C	lb/ft	kg/m
Acetal (Straight)	303 SS	700	317	-50 to 200	-46 to 93	0.88	1.21
Acetal (Turning)	303 SS	560	254	-50 to 200	-46 to 93	0.90	1.25