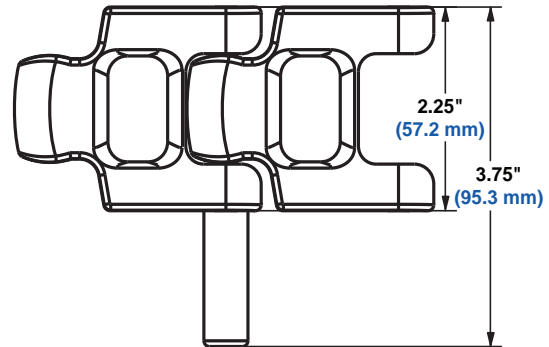


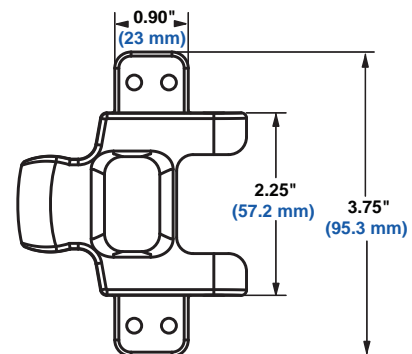
## Extended Pins and Tabs

**EXTENDED PINS** — Modules with 303 stainless steel extended pins can be spliced into both the basic turning and straight running chains. These pins are commonly used in side by side chain strands where rollers are used for low back pressure applications. The minimum extended pin spacing is 2.0 in (50.8 mm). The extended pin modules can be spliced into the standard chain every 2.0 in (50.8 mm).



Extended pins for straight or turning versions

**EXTENDED TABS** — Modules with extended tabs can be spliced into both the basic turning and straight running chains. These extended tabs can be used to attach flights, cleats, etc. The extended tab modules are based on the turning chain design, so the rating for the turning chain should be used even if the extended tab modules are spliced into straight running chain. The minimum tab spacing is 2.0 in (50.8 mm). The tabs can be spliced into the standard chain every 2.0 in (50.8 mm).



Extended tabs for straight or turning versions

Intralox offers only extended tabs and extended pins. Attachments for either of these accessories are not available through Intralox. Contact Customer Service for lead times.