

S4014 Flat Top

	in	mm
Pitch	1.00	25.4
Molded Width	3.3	84
Open Area	0%	
Hinge Style	Closed	
Drive Method	Hinge-driven	

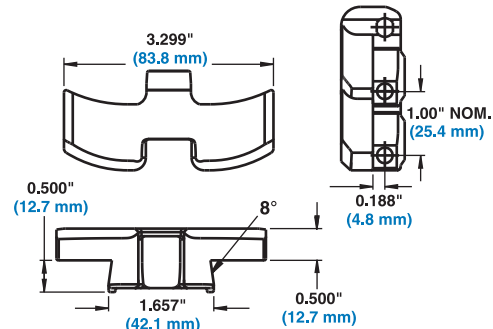


Product Notes

- **Contact Intralox for precise belt measurements and stock status before designing equipment or ordering a belt.**
- Designed for applications with a minimum centerline turn radius of 18 in (457 mm).
- Same deck thickness as the straight running belt counterpart Series 1400 FT [0.5 in (12.7 mm)].
- Series 4000 belts use S1400 sprockets.
- All Series 1400/4000 sprockets use the split design so shafts do not have to be removed for retrofits and changeovers.
- Available in 10 ft. (3.1 m) boxed lengths.
- Corner Tracks, with bevel design, are mandatory on the inside edges of all turns.
- Intralox's Engineering Program for S4000 belts can calculate the estimated belt pull for your system. Contact Intralox Customer Service for more information.

Additional Information

- See "Belt Selection Process" (page 7)
- See "Standard Belt Materials" (page 22)
- See "Special Application Belt Materials" (page 22)
- See "Friction factors" (page 26)



Belt Data

Belt Material	Belt Width		Standard Rod Material Ø 0.25 in (6.4 mm)	BS Belt Strength		Temperature Range (continuous)		W Belt Weight	
	in	mm		lb	kg	°F	°C	lb/ft	kg/m
Acetal	3.3	84	303 SS	500	227	-50 to 200	-46 to 93	1.29	1.92