

S4032 7.5-in ProTrax Sideflexing Flat Top with Tabs

	in	mm
Pitch	1.00	25.4
Molded Width	7.5	191.0
Open Area	0%	
Hinge Style	Closed	
Drive Method	Hinge-driven	



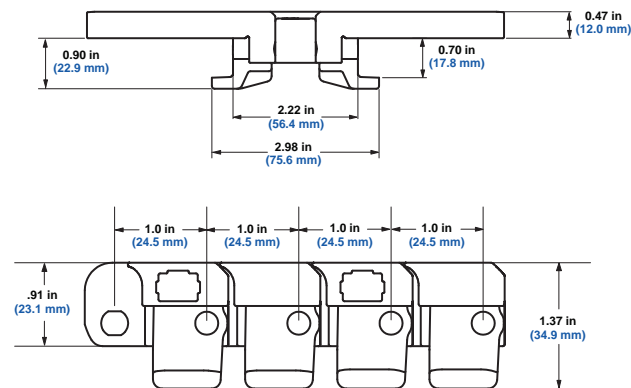
Product Notes

- **Contact Intralox for precise belt measurements and stock status before designing equipment or ordering a belt.**
- Two powerful, blue, teflon-coated magnets embedded in each module (one magnet per wing).
- Thicker deck than S409X Flat Top for increased wear resistance.
- S4000 belts use S1400/4000 sprockets.
- Minimum sprocket pitch diameter is 5.1 in (129.5 mm).
- Standard configuration consists of magnetic modules and S403X Sideflexing Flat Top modules alternating every other row.
- Ideal for incline, decline, vertical switch, pan indexing, metering, de-lidding, and radius applications.
- Only needs one drive and idle sprocket per belt strand.
- Blue, metal detectable, nylon caps retain magnets in modules.
- Belt spacing should be determined based on maximum surface contact with the bottom surface of the conveyed product.
- Hold down tabs match dimensions of S4092.



Additional Information

- See "Belt Selection Process" (page 7)
- See "Standard Belt Materials" (page 22)
- See "Special Application Belt Materials" (page 22)
- See "Friction factors" (page 26)



Belt Data

Belt Material	Belt Width		Standard Rod Material Ø 0.25 in (6.4 mm)	BS Belt Strength		Temperature Range (continuous)		W Belt Weight	
	in	mm		lb	kg	°F	°C	lb/ft	kg/m
HHR Nylon	7.5	191.0	303 SS	500	227	-50 to 310	-46 to 154	2.66	3.95