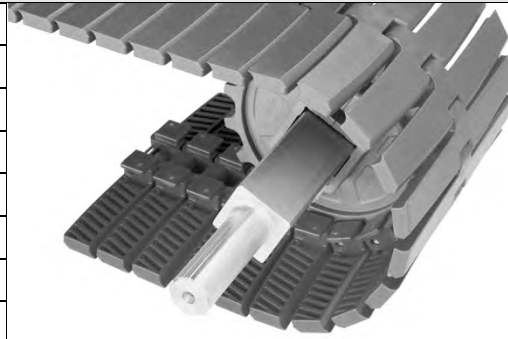


S4091 Sideflexing Flat Top

	in	mm
Pitch	1.00	25.4
Molded Width	3.25	83
	4.5	114
	7.5	191
Open Area	0%	
Hinge Style	Closed	
Drive Method	Hinge-driven	



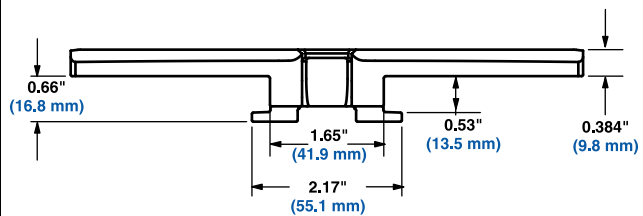
Product Notes

- Contact Intralox for precise belt measurements and stock status before designing equipment or ordering a belt.
- Same deck thickness as the straight running belt counterpart Series 900 Flat Top [0.384 in (9.8 mm)].
- Series 4000 belts use S1400 sprockets.
- All Series 1400/4000 sprockets use the split design so shafts do not have to be removed for retrofits and changeovers.
- Available in 10 ft. (3.1 m) boxed lengths.
- Intralox's Engineering Program for S4000 belts can calculate the estimated belt pull for your system. Contact Intralox Customer Service for more information.
- Refer to Belt Data table below for minimum centerline turn radius.



Additional Information

- See "Belt Selection Process" (page 7)
- See "Standard Belt Materials" (page 22)
- See "Special Application Belt Materials" (page 22)
- See "Friction factors" (page 26)



Belt Data

Belt Material	Belt Width		Standard Pin Material Ø 0.25 in (6.4 mm)	BS Belt Strength		Temperature Range (continuous)		W Belt Weight		Minimum Centerline Turn Radius	
	in	mm		lb	kg	°F	°C	lb/ft	kg/m	in	mm
Acetal	3.25	83	303 SS	500	227	-50 to 200	-46 to 93	1.22	1.81	18	457
Acetal	4.5	114	303 SS	500	227	-50 to 200	-46 to 93	1.40	2.08	18	457
Acetal	7.5	191	303 SS	500	227	-50 to 200	-46 to 93	1.84	2.74	24	610
HR Nylon ^a	3.25	83	303 SS	500	227	-50 to 240	-46 to 116	1.02	1.52	18	457
HR Nylon ^b	7.5	191	303 SS	500	227	-50 to 240	-46 to 116	1.54	2.29	24	610
HHR Nylon	3.25	83	303 SS	500	227	-50 to 240	-46 to 116	1.04	1.55	18	457
HHR Nylon	4.5	114	303 SS	500	227	-50 to 310	-46 to 154	1.18	1.76	18	457
HHR Nylon	7.5	191	303 SS	500	227	-50 to 310	-46 to 154	1.57	2.34	24	610

a. This product may not be used for food contact articles that will come in contact with food containing alcohol.
 b. This product may not be used for food contact articles that will come in contact with food containing alcohol.