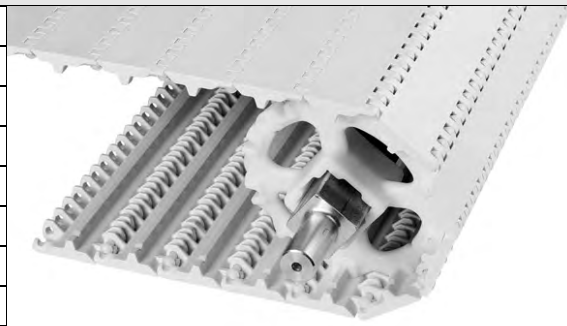


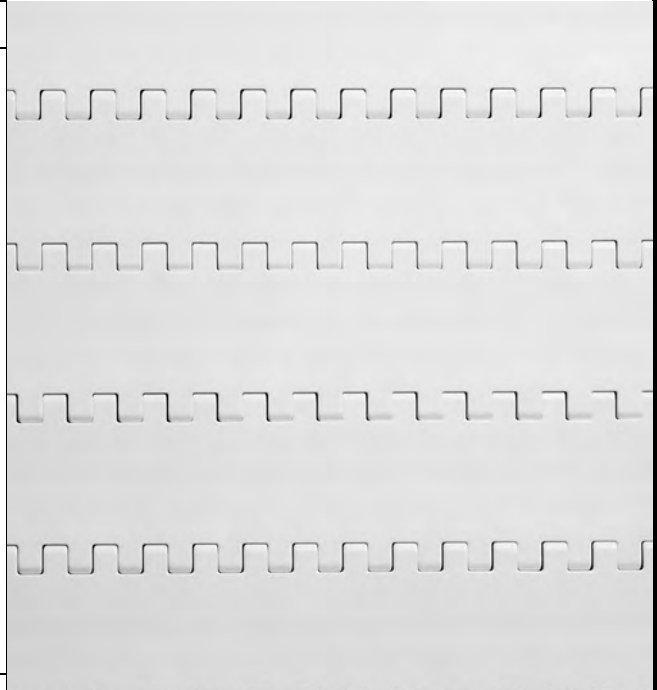
## SeamFree™ Open Hinge Flat Top

	in	mm
Pitch	2.00	50.8
Minimum Width	6	152
Width Increments	0.66	16.8
Opening Size (approximate)	-	-
Open Area	0%	
Hinge Style	Open	
Drive Method	Center-driven	



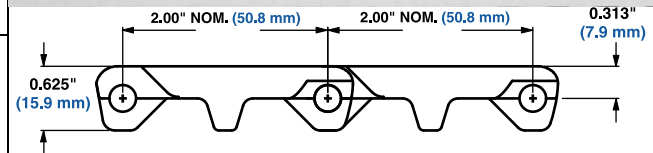
### Product Notes

- **Contact Intralox for precise belt measurements and stock status before designing equipment or ordering a belt.**
- Smooth, closed upper surface with fully flush edges.
- Uses headed rods.
- Cam-link designed hinges - expose more hinge and rod area as the belt goes around the sprocket. This exclusive Intralox feature allows unsurpassed cleaning access to this area.
- Fully sculpted and radiused corners - no pockets or sharp corners to catch and hold debris.
- Like Series 1600 and Series 1800, the drive bar on the underside of Series 800 Open Hinge Flat Top channels water and debris to the outside of the belt for easier, faster cleanup. The drive bar's effectiveness has been proven both in-house and in field tests.
- Fully compatible with industry-proven Series 800 Flat Top – can be spliced directly into Series 800 Flat Top, using the same sprockets and accessories.
- Streamlined flights are available. Standard height is 6 in (152.4 mm) or they can be cut down to custom heights.
- Belts over 36 in (914 mm) are built with multiple modules per row, but seams are minimized.



### Additional Information

- See "Belt Selection Process" (page 7)
- See "Standard Belt Materials" (page 22)
- See "Special Application Belt Materials" (page 22)
- See "Friction factors" (page 26)



### Belt Data

Belt Material	Standard Rod Material Ø 0.24 in (6.1 mm)	<b>BS</b> Belt Strength		Temperature Range (continuous)		<b>W</b> Belt Weight	
		lb/ft	kg/m	°F	°C	lb/ft <sup>2</sup>	kg/m <sup>2</sup>
Polypropylene	Polypropylene	900	1340	34 to 220	1 to 104	1.63	7.96
Polyethylene	Polyethylene	500	750	-50 to 150	-46 to 66	1.70	8.30
Acetal	Polyethylene	900	1340	-50 to 150	-46 to 66	2.52	12.3
X-Ray Detectable Acetal <sup>a</sup>	Blue Polyethylene	900	1340	-50 to 150	-46 to 66	2.98	13.67

a. Designed specifically to be detected by x-ray machines.