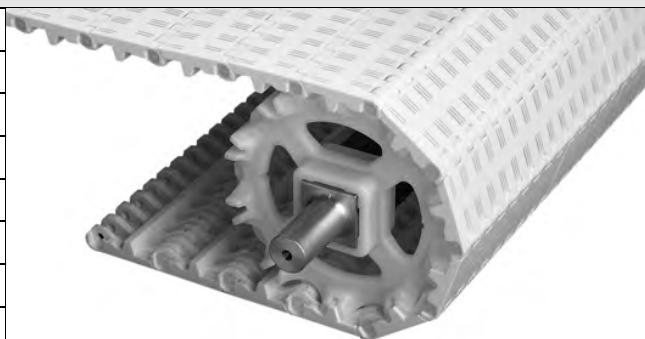


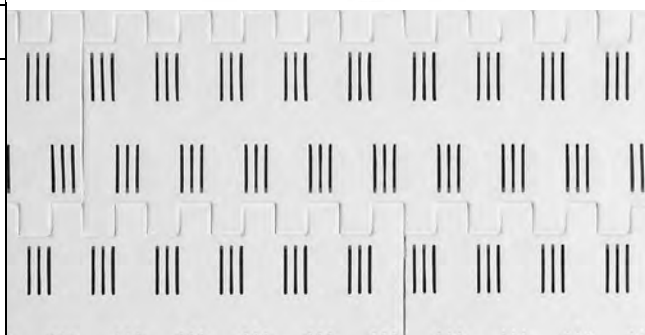
## Mesh Top™

	in	mm
Pitch	2.00	50.8
Minimum Width	2	51
Width Increments	0.66	16.8
Opening Size (approximate)	0.50 × 0.04	12.7 × 1.0
Open Area	9%	
Hinge Style	Open	
Drive Method	Center-driven	

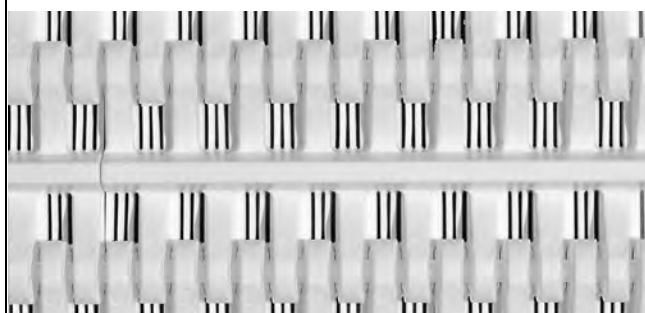


### Product Notes

- **Contact Intralox for precise belt measurements and stock status before designing equipment or ordering a belt.**
- Smooth, closed upper surface with fully flush edges.
- Uses headed rods.
- Impact resistant belt designed for tough applications.
- Flights are available.
- Not compatible with sideguards.



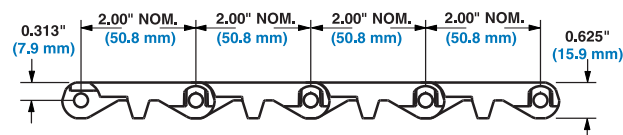
Top Surface



Underside Surface

### Additional Information

- See "Belt Selection Process" (page 7)
- See "Standard Belt Materials" (page 22)
- See "Special Application Belt Materials" (page 22)
- See "Friction factors" (page 26)



### Belt Data

Belt Material	Standard Rod Material Ø 0.24 in (6.1 mm)	BS		Temperature Range (continuous)		W	
		Belt Strength		°F	°C	Belt Weight	
		lb/ft	kg/m			lb/ft <sup>2</sup>	kg/m <sup>2</sup>
Polypropylene	Polypropylene	1000	1490	34 to 220	1 to 104	1.60	7.86