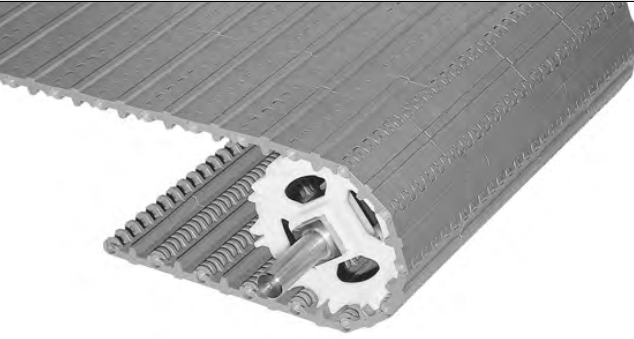


Mini Rib		
	in	mm
Pitch	2.00	50.8
Minimum Width	2	51
Width Increments	0.66	16.8
Opening Size (approximate)	-	-
Open Area	0%	
Hinge Style	Open	
Drive Method	Center-driven	

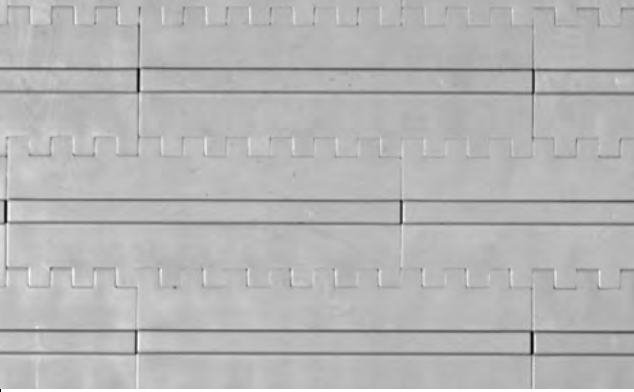
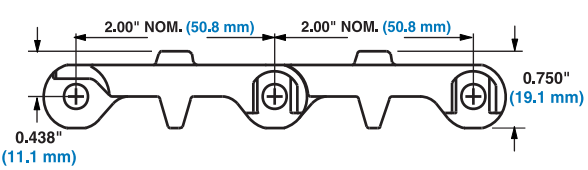


### Product Notes

- **Contact Intralox for precise belt measurements and stock status before designing equipment or ordering a belt.**
- Closed surface with fully flush edges.
- Uses headed rods.
- Impact resistant belt designed for tough Meat Industry applications.
- 1/8 in (3 mm) Mini Rib on surface accommodates gradual inclines and declines.
- Not recommended for back-up conditions. If values are required, contact Intralox Sales Engineering.

### Additional Information

- See "Belt Selection Process" (page 7)
- See "Standard Belt Materials" (page 22)
- See "Special Application Belt Materials" (page 22)
- See "Friction factors" (page 26)

Belt Data							
Belt Material	Standard Rod Material Ø 0.24 in (6.1 mm)	BS Belt Strength		Temperature Range (continuous)		W Belt Weight	
		lb/ft	kg/m	°F	°C	lb/ft <sup>2</sup>	kg/m <sup>2</sup>
Polypropylene	Polypropylene	1000	1490	34 to 220	1 to 104	1.77	8.66
Polyethylene	Polyethylene	500	750	-50 to 150	-46 to 66	1.87	9.13
Acetal	Polyethylene	900	1340	-50 to 150	-46 to 66	2.92	14.26