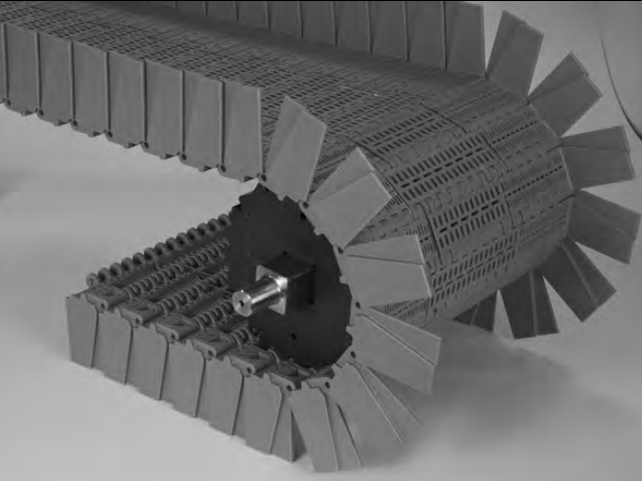
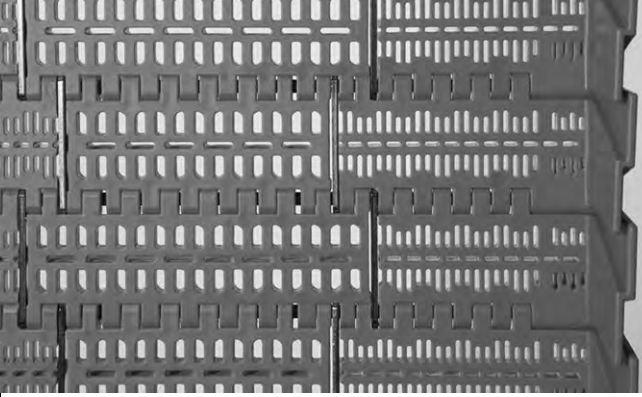
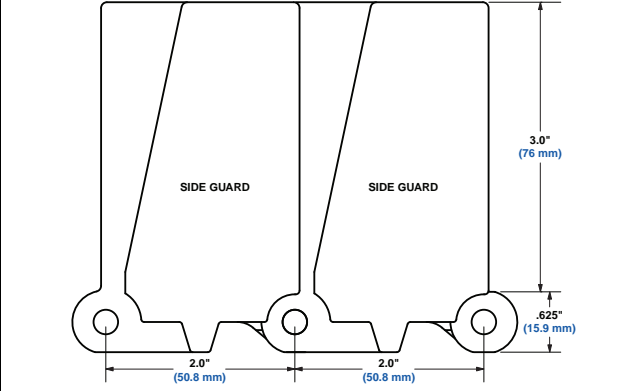


Large Slot SSL		
	in	mm
Pitch	2.0	50
Minimum Width	16.0	406
Width Increments	0.66	17
Slot Size, Linear	0.16 x 0.39	4.1 x 9.9
Slot Size, Transverse	0.12 x 0.50	3.0 x 12.7
Open Area	22%	
Hinge Style	Open	
Drive Method	Center-Driven	
Product Notes		
<ul style="list-style-type: none"> • Contact Intralox for precise belt measurements and stock status before designing equipment or ordering a belt. • Proven Enduralox™ polypropylene material increases resistance to chemical and temperature cycling • Proven drive system requires less back tension and is less sensitive to belt elongation • Barn door style rod retention system simplifies installation and routine maintenance. • Uses headless rods. • Molded-in sideguards (MISG), flush with belt edges, provides maximum utilization of belt surface and robust design reduces contamination risks • For belts with Molded-in sideguards (MISG), expect a minimum backbend radius of 7 in (180 mm) 		
Additional Information		
<ul style="list-style-type: none"> • See "Belt Selection Process" (page 7) • See "Standard Belt Materials" (page 22) • See "Special Application Belt Materials" (page 22) 		

Belt Data							
Belt Material	Standard Rod Material Ø 0.24 in (6.1 mm)	BS Belt Strength		Temperature Range (continuous)		W Belt Weight	
		lb/ft	kg/m	°F	°C	lb/ft ²	kg/m ²
Enduralox Polypropylene	Wear-resistant Stainless Steel	2000	3000	34 to 212	1 to 100	2.6	12.7